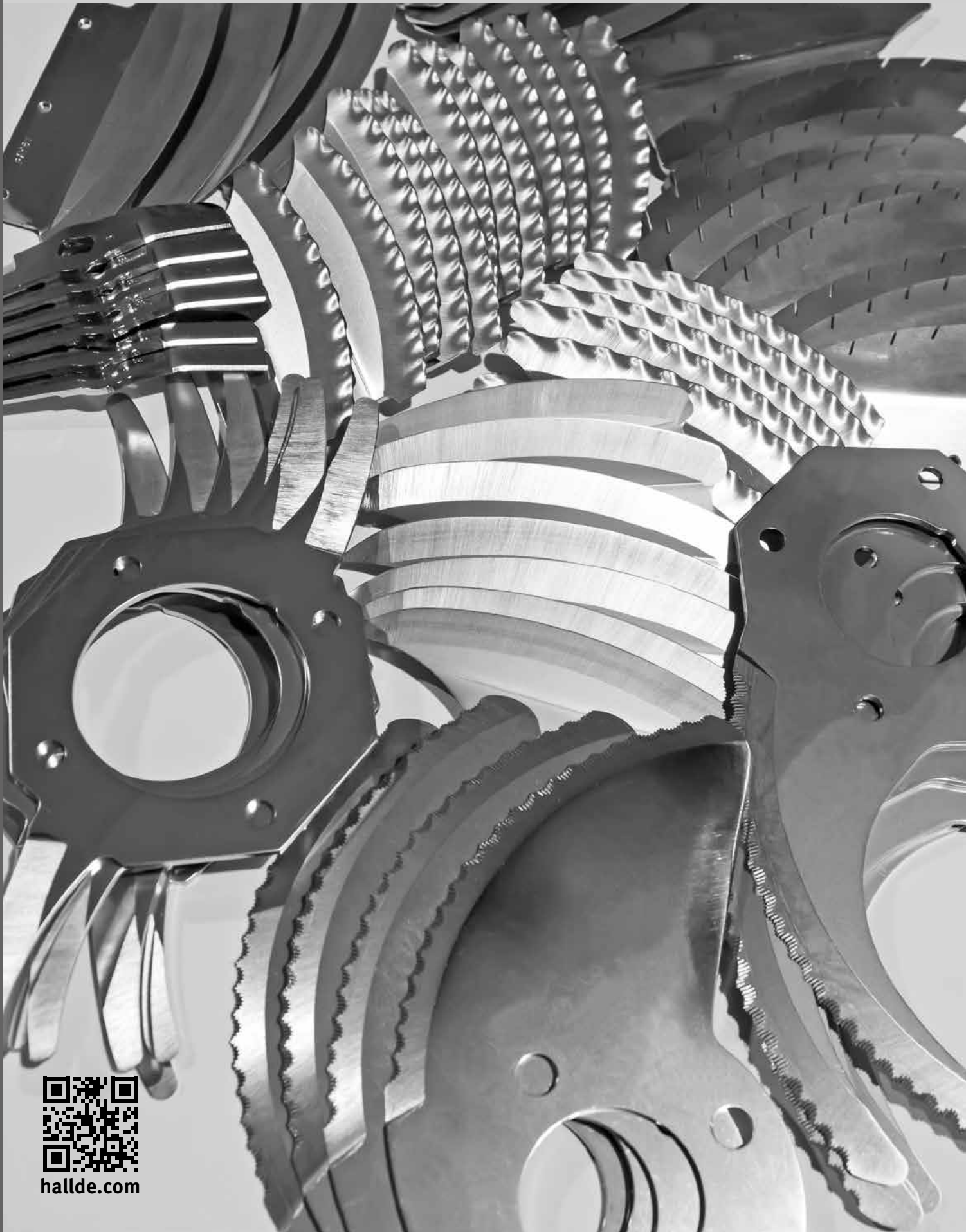




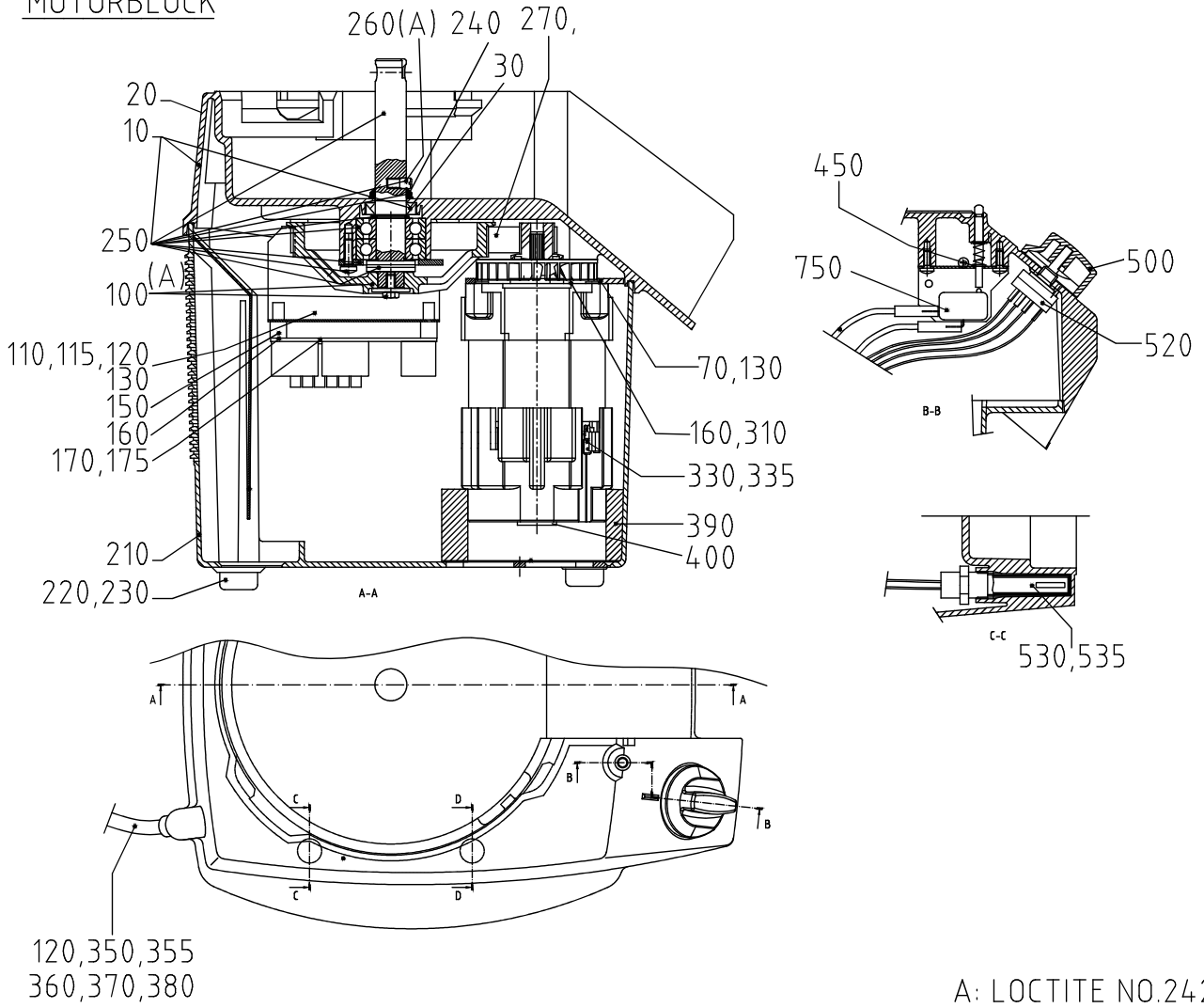
SPARE PARTS 2015

Food Preparation Machines - Made in Sweden 

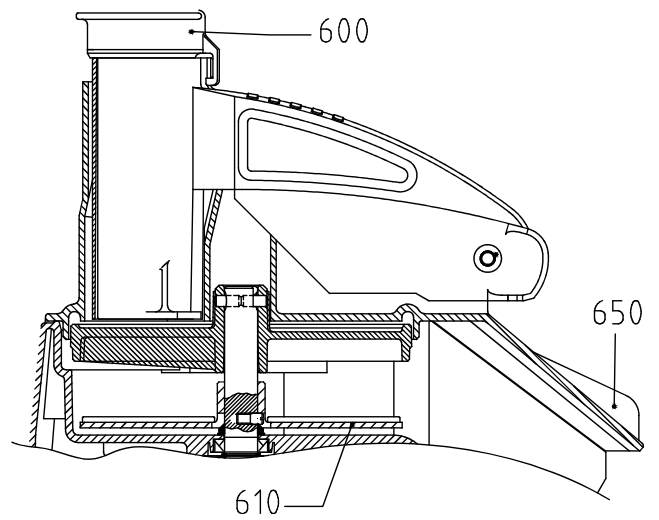


halde.com

MOTOR BASE
MOTORBLOCK



VEGETABLE PREPARATION ATTACHMENT
GRÖNSAKSSKÄRAR-TILLSATS



RG-50S

| No. on drawing | Item No. | Description | Beskrivning | Pcs |
|----------------|----------|--------------------------------|---------------------------------|-----|
| 10 | 1412 | Housing, top inkl knifeshaft | Maskinhus överdel med knivaxel | 1 |
| 20 | 14249 | Screw MKFX-H M5X14 A2-70 | Skruv MKFX-H M5X14 A2-70 | 4 |
| 30 | 10259 | Rubber seal washer 18X30X7 | Tätningarring 18X30X7 NBR typ a | 1 |
| 70 | 14344 | Screw M5X12 | Skruv ECO-FIX M5X12, A2 | 4 |
| 100 | 1411 | Pulley, knife shaft compl. | Remhjul knivaxel kompl. | 1 |
| 110 | 24293 | El.-plate, AM | Elplåt, kretskort AM | 1 |
| 115 | 24268 | El-plate, UL | Elplåt, kretskort AM UL | 1 |
| 120 | 14851 | Screw MRT M4X10 A2 | Skruv MRT M4X10 A2 | 5 |
| 130 | 14084 | Lock washer FBB 4.1 A2 | Bricka fjäder FBB 4.1 A2 | 1 |
| 150 | 15527 | Bracket for PC-board AVC BS-9A | Korthållare CS-0610 (48-904-22 | 4 |
| 160 | 14753 | Screw RT-PTF 5.0X20FZ | Skruv RT-PTF 5.0X20FZB TORX/FL | 4 |
| 170 | 24343 | Pc-board CC 230 1 50 | Kretskort CC 230 1 50 | 1 |
| 175 | 24344 | PC-board CC 110v,60 | Kretskort CC 110 1 60 | 1 |
| 210 | 24340 | Housing, base | Maskinhus, underdel | 1 |
| 220 | 10494 | Rubber foot F-107 B | Fot, gummi M RFR bricka F-107 B | 4 |
| 230 | 14333 | Scrw MRX-H M4X12 A2 70 | Skruv MRX-H M4X12 A2 70 | 4 |
| 240 | 10262 | Seal ring V-18S | V-ring typ s 18mm | 1 |
| 250 | 1410 | Knife shaft compl. | Knivaxel komplett | 1 |
| 260 | 24146 | Pin, knife shaft | Medbringarstift, knivaxel | 1 |
| 270 | 10679 | Belt GT 3MR 0408 18 | Kuggrem rpp 405 rpp3 18 | 1 |
| 310 | 24292 | Bracket, motor AM | Motorplåt, AM | 1 |
| 330 | 15711 | Motor 220-240 1 50/60 | Motor 220-240 1 50/60 | 1 |
| 335 | 24179 | Motor unit 110-120 1 50/60 UL | Motorenhet 110 1 50/60 UL AM | 1 |
| 350 | 24210 | Supply cord 230v CE (1) | Sladdställ 230V CE (1) | 1 |
| 355 | 24211 | Supply cord 120v US | Sladdställ 120v US | 1 |
| 360 | 10589 | Strain relief clamp 55-016-89 | Dragavl.klämma 55-016-89 | 1 |
| 370 | 14336 | Screw MRT-H M4X25 A2 70 | Skruv MRT-H M4X25 A2 70 | 2 |
| 380 | 15422 | Cable support NK-5N | Kabelklämma NK-5N | 1 |
| 390 | 24296 | Seal ring, fan | Tätningsskos, fläkt | 1 |
| 400 | 24008 | Speed sensor CC 230v Compl. AM | speed sensor CC 230v Kompl. AM | 1 |
| 450 | 1413 | Activator pin, safety switch | Tryckstång mikrobryt. kompl | 1 |
| 500 | 24222 | Knob 0-1 w. blade spring | Vred 0-1 m.bladfjäder | 1 |
| 520 | 24295 | Rotary switch, CC-32-1 | Strömställare, CC-32-1 | 1 |
| 530 | 24278 | Magnetic switch, safety | Magnetbrytare, säkerhet | 1 |
| 535 | 24332 | magnetic switch, safety AM UL | Magnetbrytare, säkerhet AM UL | 1 |
| 600 | 24157 | Pestle | Stöt | 1 |
| 610 | 83032 | Ejector plate | Utmatarskiva | 1 |
| 650 | 24634 | Feed head | Matarinsats | 1 |
| 750 | 24116 | Microswitch unit, CC-32/34-1 | Mikrobrytarenhhet, CC-32/34-1 | 1 |