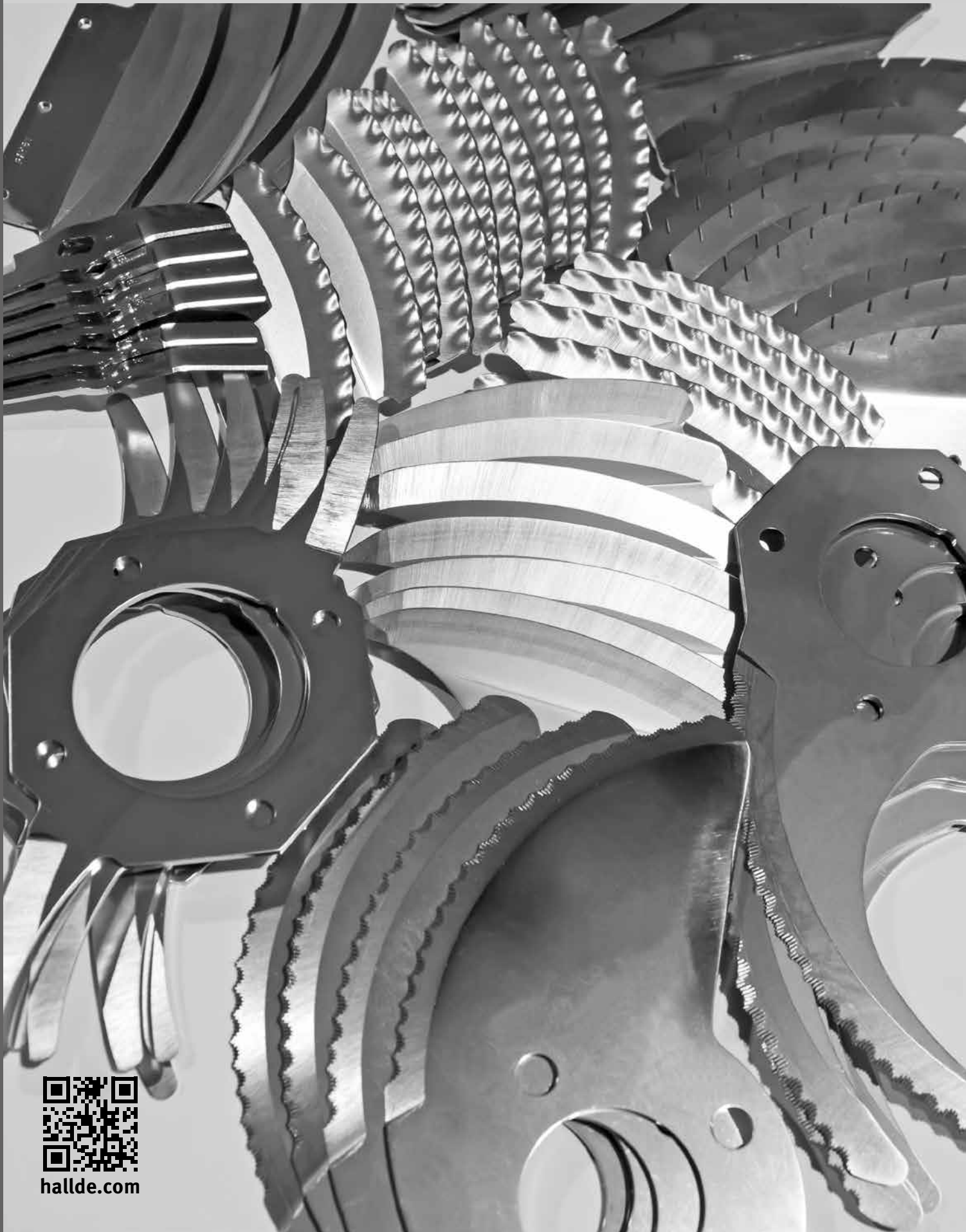


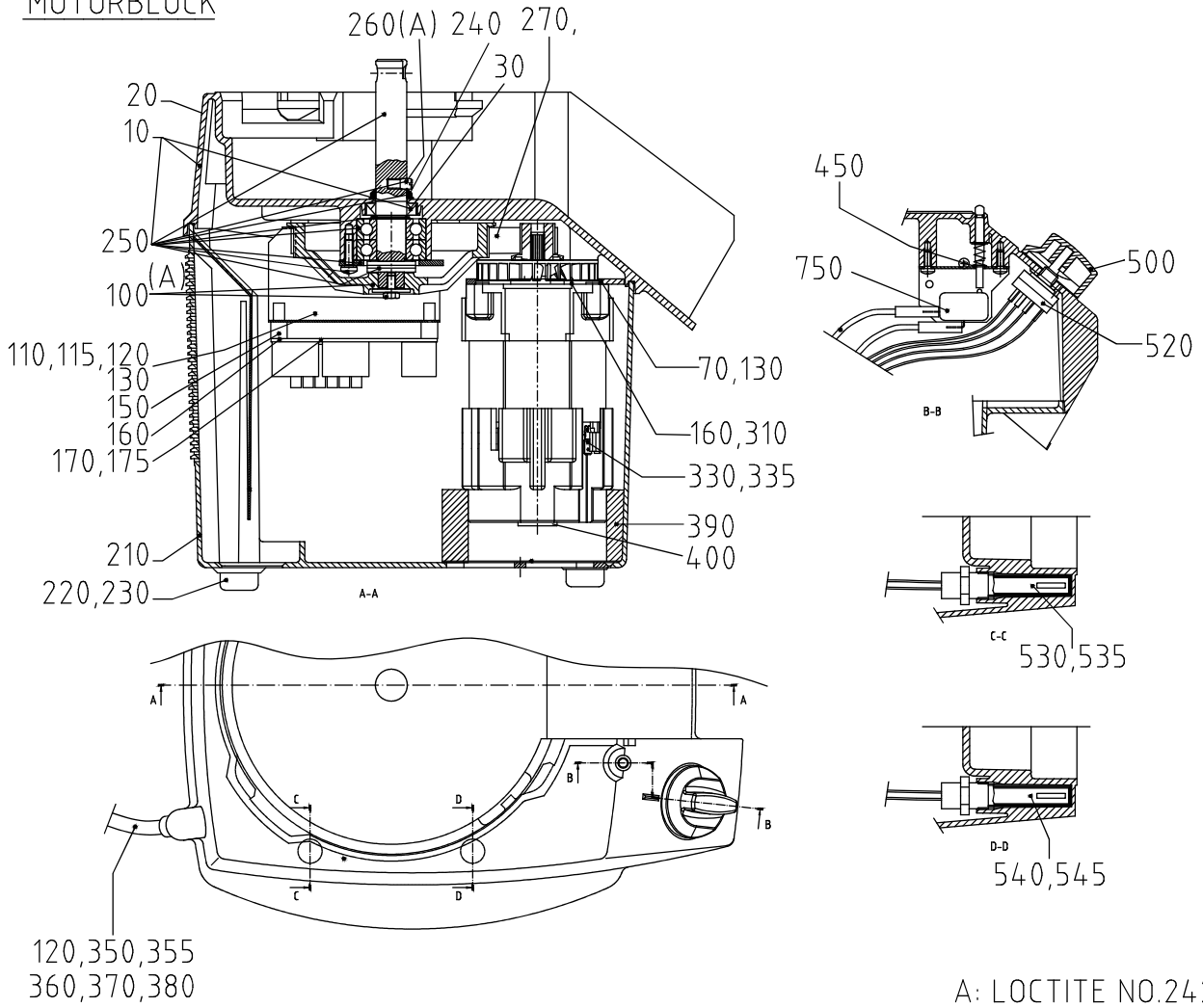


SPARE PARTS 2015

Food Preparation Machines - Made in Sweden 

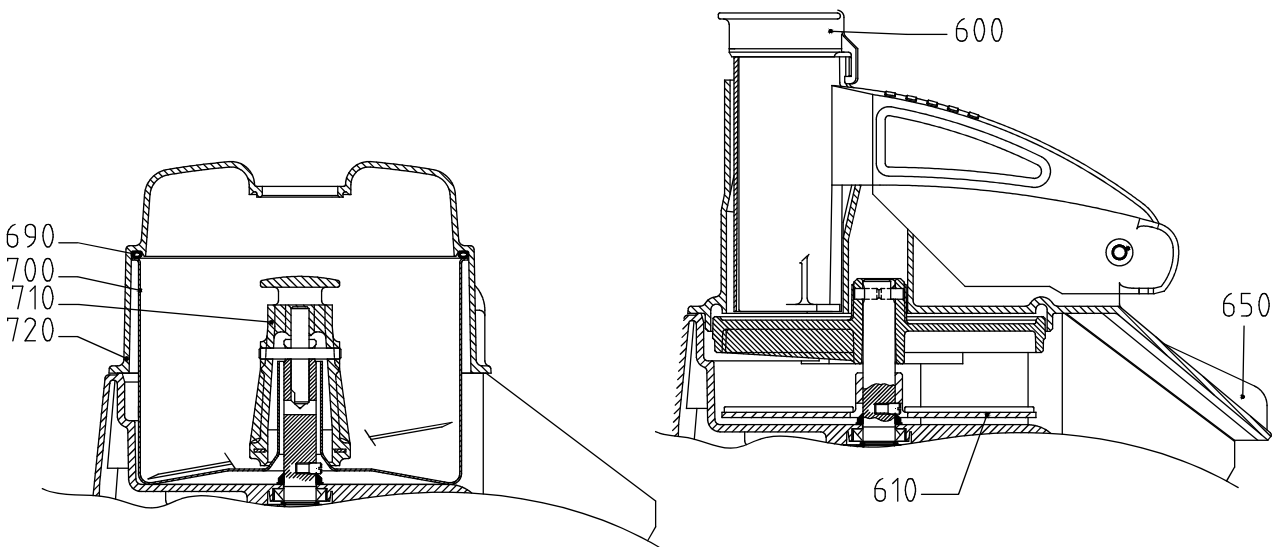


MOTOR BASE
MOTORBLOCK



CUTTER/MIXER BOWL ATTACHMENT
SNABBHACKS-TILLSATS

VEGETABLE PREPARATION ATTACHMENT
GRÖNSAKSSKÄRAR-TILLSATS



CC-32S

No. on drawing	Item No.	Description	Beskrivning	Pcs
10	1412	Housing, top inkl knifeshaft	Maskinhus överdel med knivaxel	1
20	14249	Screw MKFX-H M5X14 A2-70	Skruv MKFX-H M5X14 A2-70	4
30	10259	Rubber seal washer 18X30X7	Tätningring 18X30X7 NBR typ a	1
70	14344	Screw M5X12	Skruv ECO-FIX M5X12, A2	4
100	1411	Pulley, knife shaft compl.	Remhjul knivaxel kompl.	1
110	24293	El.-plate, AM	Elplåt, kretskort AM	1
115	24268	El-plate, UL	Elplåt, kretskort AM UL	1
120	14851	Screw MRT M4X10 A2	Skruv MRT M4X10 A2	5
130	14084	Lock washer FBB 4.1 A2	Bricka fjäder FBB 4.1 A2	1
150	15527	Bracket for PC-board AVC BS-9A	Korthållare CS-0610 (48-904-22	4
160	14753	Screw RT-PTF 5.0X20FZ	Skruv RT-PTF 5.0X20FZB TORX/FL	4
170	24343	Pc-board CC 230 1 50	Kretskort CC 230 1 50	1
175	24344	PC-board CC 110v,60	Kretskort CC 110 1 60	1
210	24340	Housing, base	Maskinhus, underdel	1
220	10494	Rubber foot F-107 B	Fot, gummi M RFR bricka F-107 B	4
230	14333	Scrw MRX-H M4X12 A2 70	Skruv MRX-H M4X12 A2 70	4
240	10262	Seal ring V-18S	V-ring typ s 18mm	1
250	1410	Knife shaft compl.	Knivaxel komplett	1
260	24146	Pin, knife shaft	Medbringarstift, knivaxel	1
270	10679	Belt GT 3MR 0408 18	Kuggrem rpp 405 rpp3 18	1
310	24292	Bracket, motor AM	Motorplåt, AM	1
330	15711	Motor 220-240 1 50/60	Motor 220-240 1 50/60	1
335	24179	Motor unit 110-120 1 50/60 UL	Motorenhet 110 1 50/60 UL AM	1
350	24210	Supply cord 230v CE (1)	Sladdställ 230V CE (1)	1
355	24211	Supply cord 120v US	Sladdställ 120v US	1
360	10589	Strain relief clamp 55-016-89	Dragavl.klämma 55-016-89	1
370	14336	Screw MRT-H M4X25 A2 70	Skruv MRT-H M4X25 A2 70	2
380	15422	Cable support NK-5N	Kabelklämma NK-5N	1
390	24296	Seal ring, fan	Tätningstos, fläkt	1
400	24008	Speed sensor CC 230v Compl. AM	speed sensor CC 230v Kompl. AM	1
450	1413	Activator pin, safety switch	Tryckstång mikrobryt. kompl	1
500	24222	Knob 0-1 w. blade spring	Vred 0-1 m.bladfjäder	1
520	24295	Rotary switch, CC-32-1	Strömställare, CC-32-1	1
530	24278	Magnetic switch,safety	Magnetbrytare,säkerhet	1
535	24332	magnetic switch, safety AM UL	Magnetbrytare, säkerhet AM UL	1
540	24274	Magnetic switch,speed-control	Magnetbrytare,hastighet	1
545	24333	Magnetic switch, speed control	Magnetbrytare, hastighet AM UL	4
600	24157	Pestle	Stöt	1
610	83032	Ejector plate	Utmatarskiva	1
650	24634	Feed head	Matarinsats	1
690	24133	Seal ring dia.5	Tätningring dia.5	1
700	24151	Bowl 3L	Kärl 3L	1
710	24153	Knife head	Knivhuvud	1
720	24172	Lid	Lock	1
750	24116	Microswitch unit, CC-32/34-1	Mikrobrytarenhet, CC-32/34-1	1