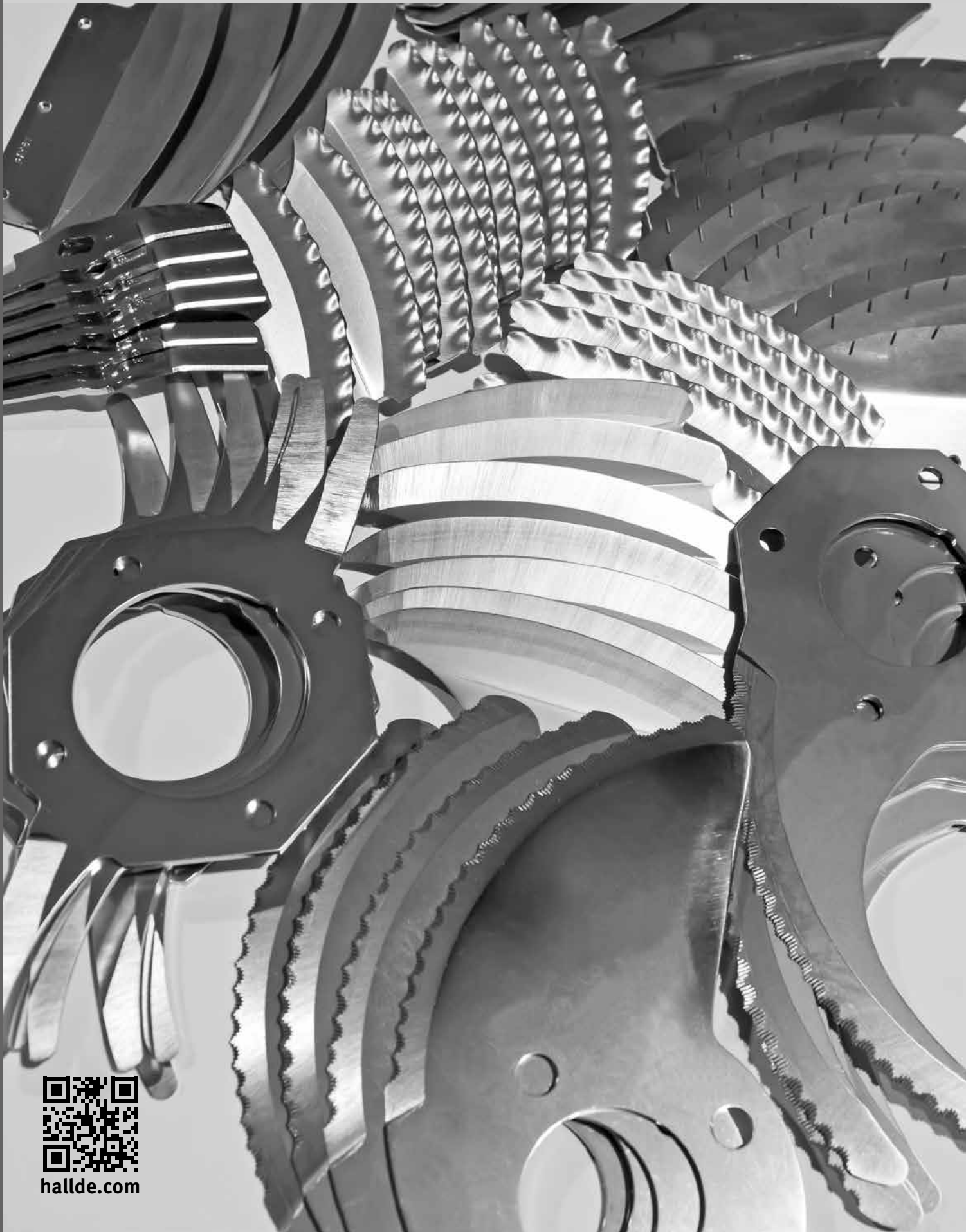




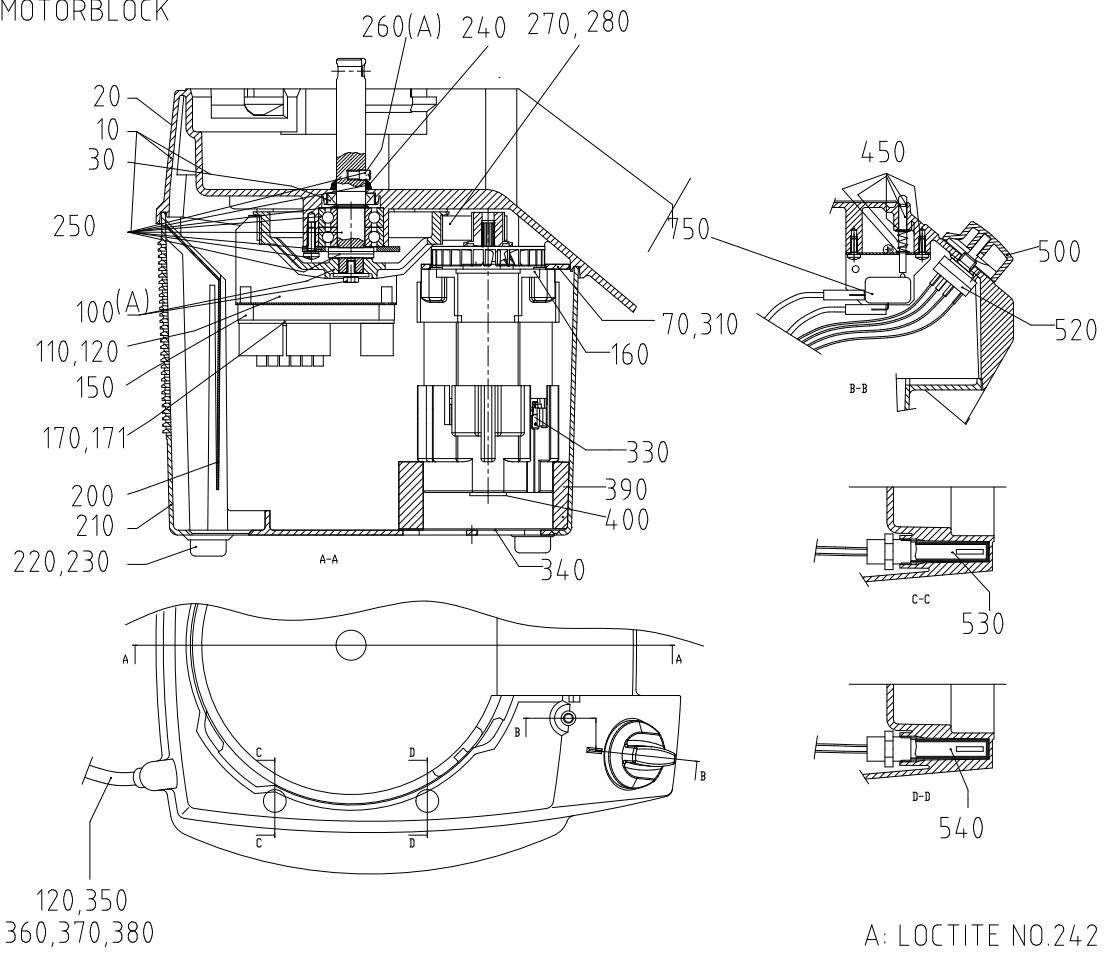
# SPARE PARTS 2015

Food Preparation Machines - Made in Sweden 



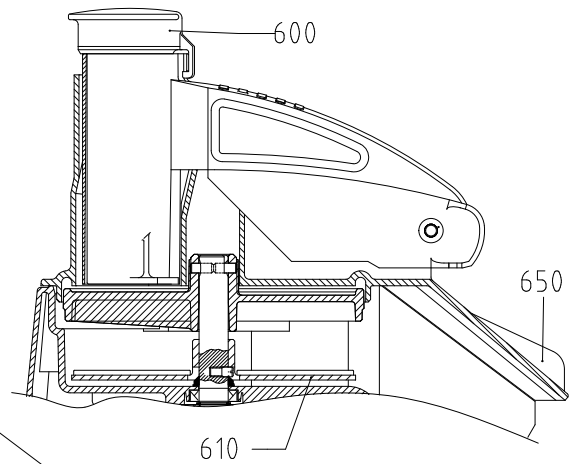
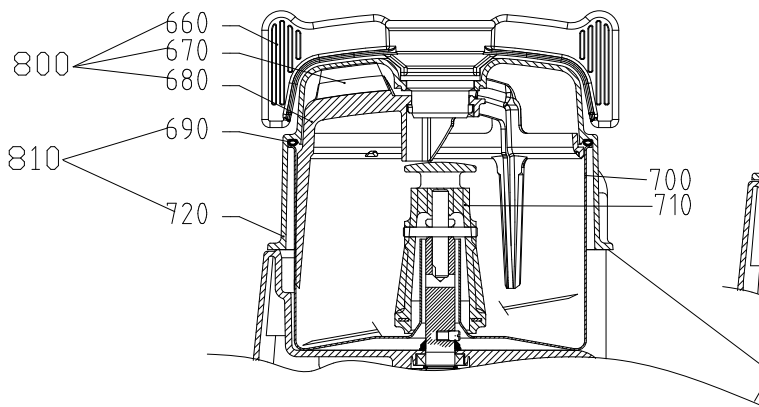
halde.com

MOTOR BASE  
MOTORBLOCK



CUTTER/MIXER BOWL ATTACHMENT  
SNABBHACKS-TILLSATS

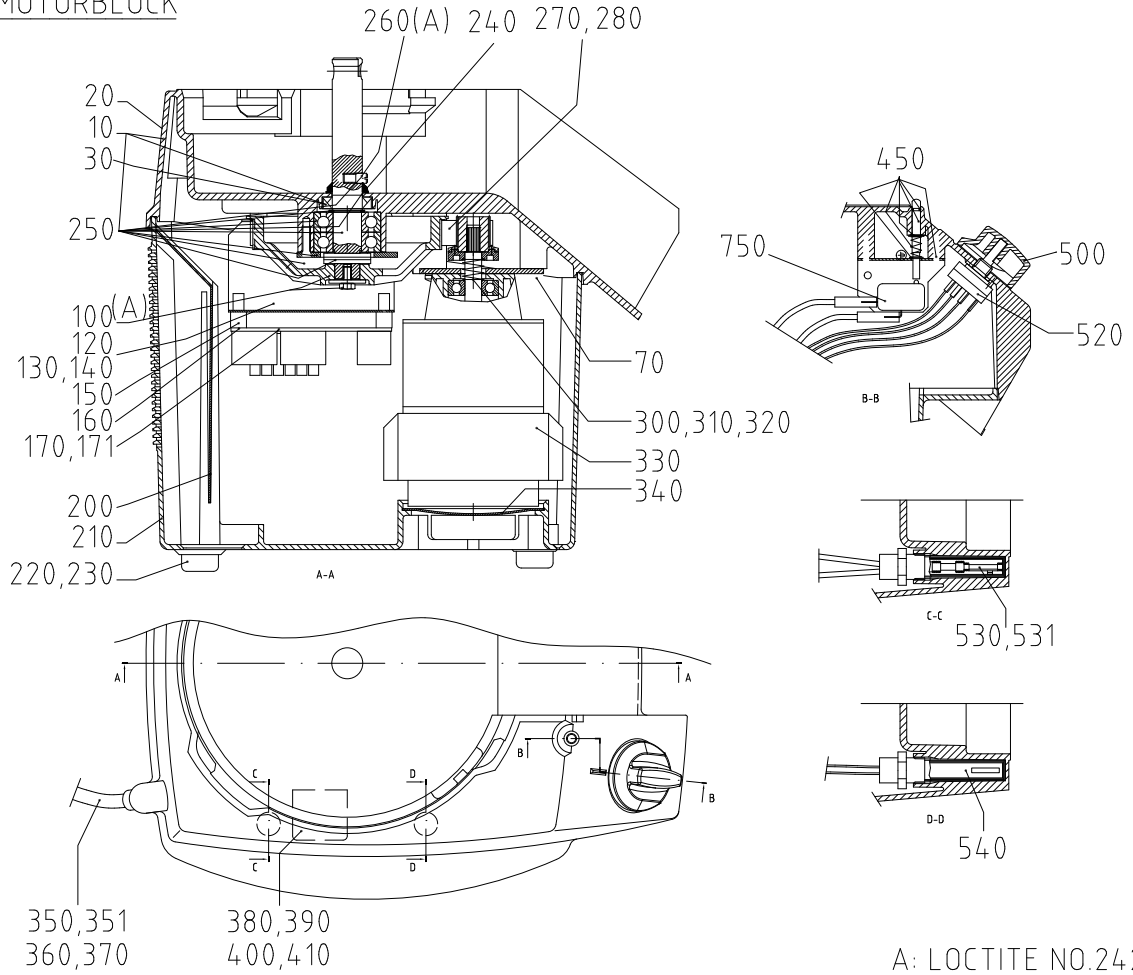
VEGETABLE PREPARATION ATTACHMENT  
GRÖNSAKSSKÄRAR-TILLSATS



## CC-34-1

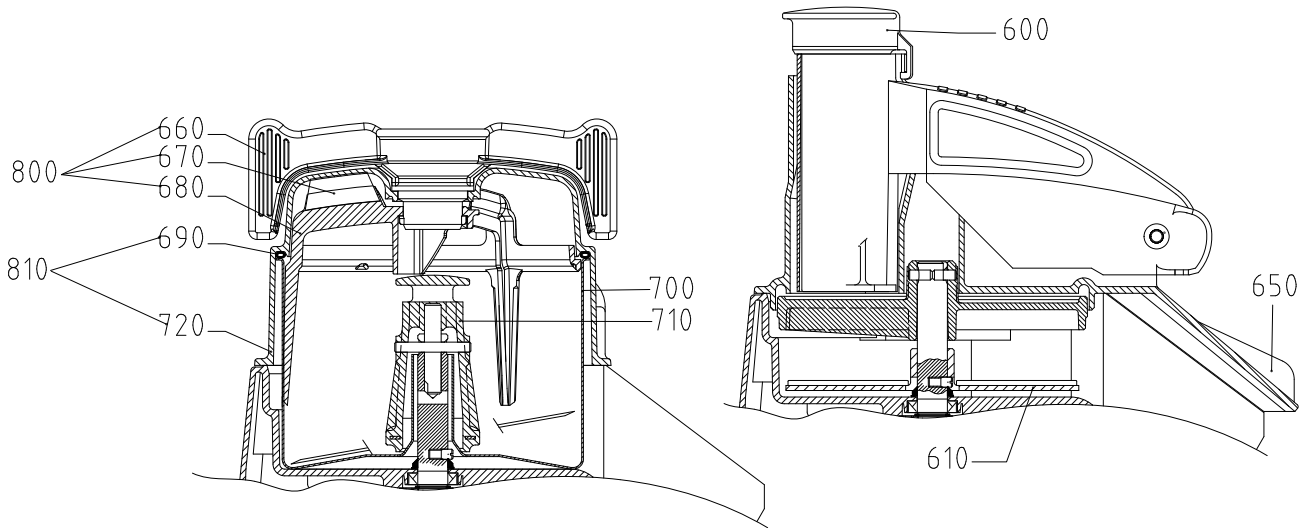
| No. on drawing | Item No. | Description                    | Beskrivning                     | Pcs |
|----------------|----------|--------------------------------|---------------------------------|-----|
| 10             | 1412     | Housing, top inkl knifeshaft   | Maskinhus överdel med knivaxel  | 1   |
| 20             | 14249    | Screw MKFX-H M5X14 A2-70       | Skruv MKFX-H M5X14 A2-70        | 4   |
| 30             | 10259    | Rubber seal washer 18X30X7     | Tätningring 18X30X7 NBR typ a   | 1   |
| 70             | 14344    | Screw M5X12                    | Skruv ECO-FIX M5X12, A2         | 4   |
| 100            | 1411     | Pulley, knife shaft compl.     | Remhjul knivaxel kompl.         | 1   |
| 110            | 24293    | El.-plate, AM                  | Elplåt, kretskort AM            | 1   |
| 120            | 14851    | Screw MRT M4X10 A2             | Skruv MRT M4X10 A2              | 5   |
| 150            | 15527    | Bracket for PC-board AVC BS-9A | Korthållare CS-0610 (48-904-22  | 4   |
| 160            | 14753    | Screw RT-PTF 5.0X20FZ          | Skruv RT-PTF 5.0X20FZB TORX/FL  | 4   |
| 170            | 24343    | Pc-board CC 230 1 50           | Kretskort CC 230 1 50           | 1   |
| 171            | 24344    | PC-board CC 110v,60            | Kretskort CC 110 1 60           | 1   |
| 200            | 24176    | Protection plate for lover     | Stänklåt                        | 1   |
| 210            | 24340    | Housing, base                  | Maskinhus, underdel             | 1   |
| 220            | 10494    | Rubber foot F-107 B            | Fot, gummi M RFR bricka F-107 B | 4   |
| 230            | 14333    | Scrw MRX-H M4X12 A2 70         | Skruv MRX-H M4X12 A2 70         | 4   |
| 240            | 10262    | Seal ring V-18S                | V-ring typ s 18mm               | 1   |
| 250            | 1410     | Knife shaft compl.             | Knivaxel komplett               | 1   |
| 260            | 24146    | Pin, knife shaft               | Medbringarstift, knivaxel       | 1   |
| 270            | 10679    | Belt GT 3MR 0408 18            | Kuggrem rpp 405 rpp3 18         | 1   |
| 280            | 24291    | Pulley wheel                   | Brytrulle, kompl.               | 1   |
| 310            | 24292    | Bracket, motor AM              | Motorplåt, AM                   | 1   |
| 330            | 15711    | Motor 220-240 1 50/60          | Motor 220-240 1 50/60           | 1   |
| 340            | 24300    | Net                            | Nät                             | 1   |
| 350            | 24210    | Supply cord 230v CE (1)        | Sladdställ 230V CE (1)          | 1   |
| 360            | 10589    | Strain relief clamp 55-016-89  | Dragavl.klämma 55-016-89        | 1   |
| 370            | 14336    | Screw MRT-H M4X25 A2 70        | Skruv MRT-H M4X25 A2 70         | 2   |
| 380            | 15422    | Cable support NK-5N            | Kabelklämma NK-5N               | 1   |
| 390            | 24296    | Seal ring, fan                 | Tätningstos, fläkt              | 1   |
| 400            | 24008    | Speed sensor CC 230v Compl. AM | speed sensor CC 230v Kompl. AM  | 1   |
| 450            | 1413     | Activator pin, safety switch   | Tryckstång mikrobryt. kompl     | 1   |
| 500            | 24152    | Knob, speed cont with spring   | Vred, hastighet m. bladfjäder   | 1   |
| 520            | 24294    | Rotary switch, CC-34-1         | Strömställare, CC-34-1 AM UL    | 1   |
| 530            | 24278    | Magnetic switch, safety        | Magnetbrytare, säkerhet         | 1   |
| 540            | 24274    | Magnetic switch, speed-control | Magnetbrytare, hastighet        | 1   |
| 600            | 24157    | Pestle                         | Stöt                            | 1   |
| 610            | 83032    | Ejector plate                  | Utmatarskiva                    | 1   |
| 650            | 24634    | Feed head                      | Matarinsats                     | 1   |
| 660            | 24134    | Scraper handle                 | Avskrapare, handtag             | 1   |
| 670            | 24132    | Scraper blade                  | Torkarblad, avskrapare          | 3   |
| 680            | 24135    | Scraper ring                   | Avskrapare, ring                | 1   |
| 690            | 24133    | Seal ring dia.5                | Tätningring dia.5               | 1   |
| 700            | 24151    | Bowl 3L                        | Kärl 3L                         | 1   |
| 710            | 24153    | Knife head                     | Knivhuvud                       | 1   |
| 720            | 24172    | Lid                            | Lock                            | 1   |
| 750            | 24116    | Microswitch unit, CC-32/34-1   | Mikrobrytarehet, CC-32/34-1     | 1   |
| 800            | 24244    | Scraper assy                   | Avskrapare                      | 1   |
| 810            | 24245    | Lid incl. seal ring            | Lock för kärl inkl. tätningstri | 1   |

MOTOR BASE  
MOTORBLOCK



CUTTER/MIXER BOWL ATTACHMENT  
SNABBHACKS-TILLSATS

VEGETABLE PREPARATION ATTACHMENT  
GRÖNSAKSSKARAR-TILLSATS



| No. on drawing | Item No. | Description                    | Beskrivning                     | Pcs |
|----------------|----------|--------------------------------|---------------------------------|-----|
| 10             | 1412     | Housing, top inkl knifeshaft   | Maskinhus överdel med knivaxel  | 1   |
| 20             | 14249    | Screw MKFX-H M5X14 A2-70       | Skruv MKFX-H M5X14 A2-70        | 4   |
| 30             | 10259    | Rubber seal washer 18X30X7     | Tätningring 18X30X7 NBR typ a   | 1   |
| 70             | 14344    | Screw M5X12                    | Skruv ECO-FIX M5X12, A2         | 4   |
| 100            | 1411     | Pulley, knife shaft compl.     | Remhjul knivaxel kompl.         | 1   |
| 120            | 14332    | Screw, met, M4 X0.7 X 10MM     | Skruv MRX-H M4X10 A2 70         | 8   |
| 130            | 14084    | Lock washer FBB 4.1 A2         | Bricka fjäder FBB 4.1 A2        | 2   |
| 140            | 24193    | Cable AWG16 G/Y L=100          | Kabel AWG16 G/G L=100 FL+ring   | 1   |
| 150            | 10588    | Stand off EG-6-01              | Distans, kort EG-6-01           | 5   |
| 160            | 14730    | Screw RXKH 4.2X16 A2           | Skruv RXKH 4.2X16 A2            | 5   |
| 170            | 24344    | PC-board CC 110v,60            | Kretskort CC 110 1 60           | 1   |
| 171            | 24257    | PC-board 220-240,50/60         | Kretskort, 220-240,50/60        | 1   |
| 200            | 24176    | Protection plate for lover     | Stänklåt                        | 1   |
| 210            | 24340    | Housing, base                  | Maskinhus, underdel             | 1   |
| 220            | 10494    | Rubber foot F-107 B            | Fot, gummi M RFR bricka F-107 B | 4   |
| 230            | 14333    | Scrw MRX-H M4X12 A2 70         | Skruv MRX-H M4X12 A2 70         | 4   |
| 240            | 10262    | Seal ring V-18S                | V-ring typ s 18mm               | 1   |
| 250            | 1410     | Knife shaft compl.             | Knivaxel komplett               | 1   |
| 260            | 24146    | Pin, knife shaft               | Medbringarstift, knivaxel       | 1   |
| 270            | 10624    | Belt power GRIP 3MR 0390       | Kuggrem GT 3MR 0390 18          | 1   |
| 280            | 24291    | Pulley wheel                   | Brytrulle, kompl.               | 1   |
| 300            | 23162    | Bracket for choke              | Drosselfäste                    | 1   |
| 310            | 23176    | Choke kompl.                   | Drossel kompl.                  | 1   |
| 320            | 14613    | Screw RTK ST2.9X16 A2 70       | Skruv RTK ST2.9X16 A2           | 1   |
| 330            | 24129    | Motor unit 110-120 1 50/60     | Motorenhet 110-120 1 50/60      | 1   |
| 340            | 24300    | Net                            | Nät                             | 1   |
| 350            | 24211    | Supply cord 120v US            | Sladdställ 120v US              | 1   |
| 351            | 24210    | Supply cord 230v CE (1)        | Sladdställ 230V CE (1)          | 1   |
| 360            | 10589    | Strain relief clamp 55-016-89  | Dragavl.klämma 55-016-89        | 1   |
| 370            | 14336    | Screw MRT-H M4X25 A2 70        | Skruv MRT-H M4X25 A2 70         | 2   |
| 380            | 15559    | EMC-p.l.filter FN2020-10-06    | EMC-filter FN2020-10-06         | 1   |
| 390            | 14639    | Screw RTK ST4,2X9,5 FZB        | Skruv RTK ST4.2X9.5 FZB         | 2   |
| 400            | 40624    | Cable AWG16 L=300 blue         | Kabel AWG 16L=300 blå           | 1   |
| 410            | 24195    | Cable AWG16 L=300 brown FL6,3  | Kabel AWG16 L=300 brun FL6,3X2  | 1   |
| 450            | 1413     | Activator pin, safety switch   | Tryckstång mikrobryt. kompl     | 1   |
| 500            | 24152    | Knob, speed cont with spring   | Vred, hastighet m. bladfjäder   | 1   |
| 520            | 24167    | Rotary switch inc. cabel ; nut | Strömställ. inkl.kabel          | 1   |
| 530            | 24174    | Magnetic switch,safety UL      | Magnetbrytare,säkerhet UL       | 1   |
| 531            | 24173    | Magnetic switch,safety         | Magnetbrytare,säkerhet          | 1   |
| 540            | 24175    | Magnetic switch, speed control | Magnetbrytare,hastighet         | 1   |
| 600            | 24157    | Pestle                         | Stöt                            | 1   |
| 610            | 83032    | Ejector plate                  | Utmatarskiva                    | 1   |
| 650            | 24634    | Feed head                      | Matarinsats                     | 1   |
| 660            | 24134    | Scraper handle                 | Avskrapare, handtag             | 1   |
| 670            | 24132    | Scraper blade                  | Torkarblad, avskrapare          | 3   |
| 680            | 24135    | Scraper ring                   | Avskrapare, ring                | 1   |
| 690            | 24133    | Seal ring dia.5                | Tätningring dia.5               | 1   |
| 700            | 24151    | Bowl 3L                        | Kärl 3L                         | 1   |
| 710            | 24153    | Knife head                     | Knivhuvud                       | 1   |
| 720            | 24172    | Lid                            | Lock                            | 1   |
| 750            | 24112    | Micro switch unit compl.       | Microbrytarenhet komplett       | 1   |
| 800            | 24244    | Scraper assy                   | Avskrapare                      | 1   |
| 810            | 24245    | Lid incl. seal ring            | Lock för kärl inkl. tätningstri | 1   |